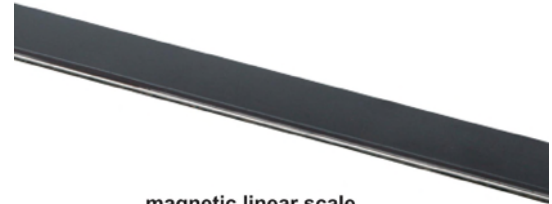


MAGNETIC LINEAR SCALES (INCREMENTAL TYPE)

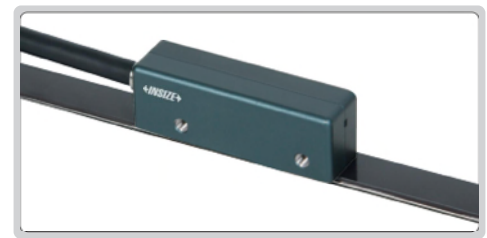


reader
LSK-B12



magnetic linear scale
LSK-C1D0

application



- Magnetic grating scale, incremental type
- Output frequency: 1000Hz (can be customized up to 8000Hz)
- Cable length: 0.5m (can be customized up to 15m)
- Dust/waterproof: IP65

READER SPECIFICATION

Code	Resolution	Repeatability	Max. response speed	Power supply	Current	Output signal	Output interface
LSK-B10	0.1μm	±0.5μm	5m/s	5V±5%	<50mA	RS422	
LSK-B11	0.5μm	±1μm					
LSK-B12	1μm	±2μm					
LSK-B20	0.1μm	±0.5μm					
LSK-B21	0.5μm	±1μm					
LSK-B22	1μm	±2μm					
LSK-B30	0.1μm	±0.5μm					
LSK-B31	0.5μm	±1μm					
LSK-B32	1μm	±2μm					

MAGNETIC LINEAR SCALE SPECIFICATION

Code	LSK-C□□□
Pitch	2+2mm
Accuracy	±40μm
Max. length	50m

Ordering examples:

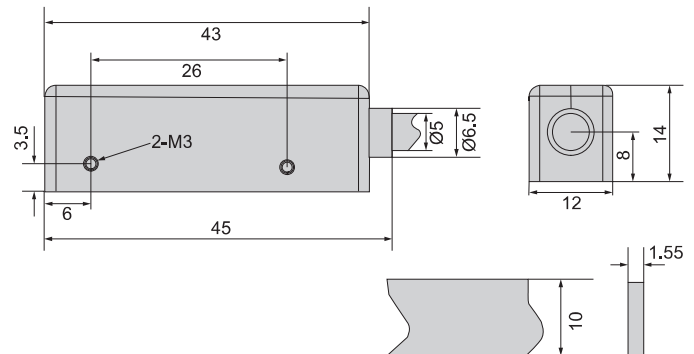
Length	Code
1m	LSK-C1D0
5.5m	LSK-C5D5
23.5m	LSK-C23D5

Note: "D" stands for ","

OPTIONAL ACCESSORY

Code	Name	Description
LSK-B01	assistant tool	mounting magnetic linear scales

unit: mm



assistant tool (optional)